

# WINEGARD® Wingman® Antenna

For use with Sensar II or III Antenna Heads Manufactured after 1990

Enhances UHF Performance. No tools required for installation. No wires to connect.

## Parts Included:

(1) Wingman unit, (4) Push Rivet

**NOT ALL PUSH RIVETS WILL  
BE USED WITH ALL MODELS.**

## Installation:

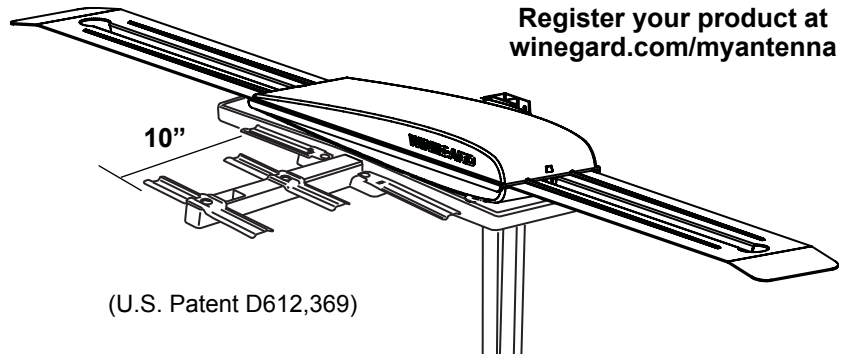
**NOTE: Skip steps 1, 2 & 5 for antennas  
mounted to a permanent structure.**

1. Allow at least 10" of clearance between the Sensar® and the nearest obstruction or the edge of the roof.
2. Raise the Sensar® antenna.
3. Remove the rubber bumpers from the bottom of the Sensar. This can be done with your fingers or pliers.
4. Line the holes in the Wingman up with the holes from which you removed the rubber bumpers. Gray models will not have bumpers.
5. Insert the push rivets provided into these holes. Push the rivet tabs until they click and lock into place.
6. Lower Antenna.



Winegard Company • 3000 Kirkwood Street • Burlington, Iowa 52601-2000 • FAX 319/754-0787 • www.winegard.com  
Printed in U.S.A. © Winegard Company, 2008 Rev5 12-13 2452167

Register your product at  
[winegard.com/myantenna](http://winegard.com/myantenna)



# WINEGARD® Wingman® Antenna

For use with Sensar II or III Antenna Heads Manufactured after 1990

Enhances UHF Performance. No tools required for installation. No wires to connect.

## Parts Included:

(1) Wingman unit, (4) Push Rivet

**NOT ALL PUSH RIVETS WILL  
BE USED WITH ALL MODELS.**

## Installation:

**NOTE: Skip steps 1, 2 & 5 for antennas  
mounted to a permanent structure.**

1. Allow at least 10" of clearance between the Sensar® and the nearest obstruction or the edge of the roof.
2. Raise the Sensar® antenna.
3. Remove the rubber bumpers from the bottom of the Sensar. This can be done with your fingers or pliers.
4. Line the holes in the Wingman up with the holes from which you removed the rubber bumpers. Gray models will not have bumpers.
5. Insert the push rivets provided into these holes. Push the rivet tabs until they click and lock into place.
6. Lower Antenna.



Winegard Company • 3000 Kirkwood Street • Burlington, Iowa 52601-2000 • FAX 319/754-0787 • www.winegard.com  
Printed in U.S.A. © Winegard Company, 2008 Rev5 12-13 2452167

Register your product at  
[winegard.com/myantenna](http://winegard.com/myantenna)

