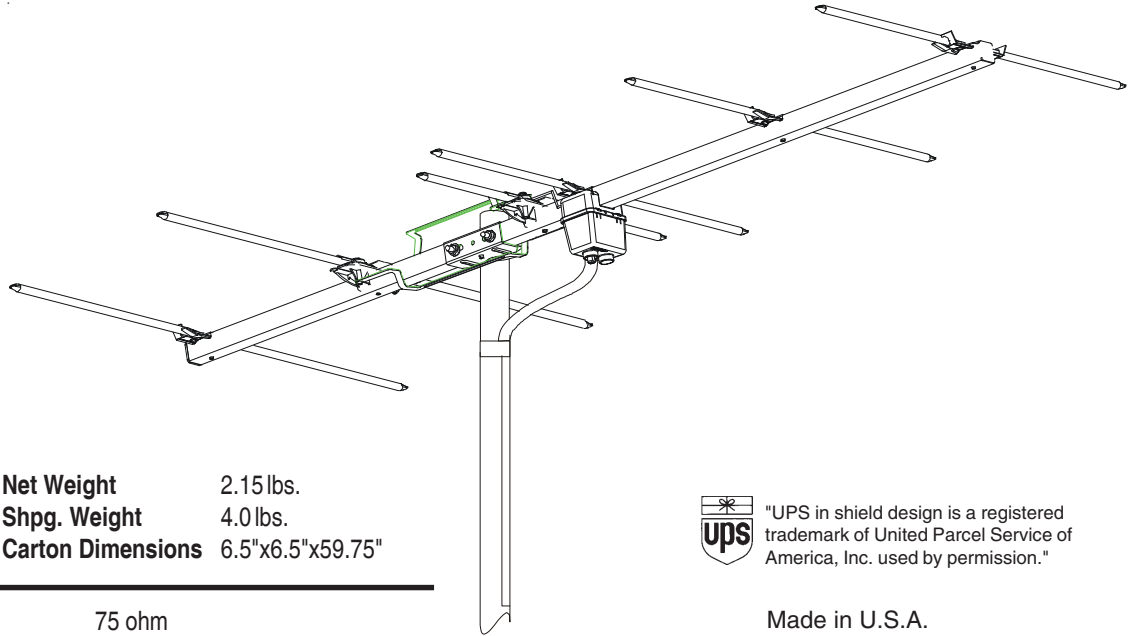




BROADBAND YAGI ANTENNA

engineering specifications

Model YA-6713



Active Elements	6	Net Weight	2.15 lbs.
Boom Length	49.875"	Shpg. Weight	4.0 lbs.
Turning Radius	34"	Carton Dimensions	6.5"x6.5"x59.75"
Maximum Width	35"		
Vertical Height	3"		
Element Diameter	3/8"		



"UPS in shield design is a registered trademark of United Parcel Service of America, Inc. used by permission."

Output Impedance: 75 ohm
Recommended Preamp: AP Series

Made in U.S.A.

CHANNEL	CH.7	CH.9	CH.11	CH.13
dB gain over reference dipole	6.8	7.3	7.2	6.8
beamwidth at half power points	64°	63°	60°	53°
front-to-back ratio	6dB	14dB	18dB	12.5dB

POLAR PATTERNS

