

46 cm Ku-Band receive-only antenna system

- DS-4046 - Universal feed support
- DS-4047 - RCA style feed support
- DS-4048 - D-tube feed support



Winegard Company has been designing and manufacturing television reception products since 1954. Satellite television reception products have been a major part of our business for over 20 years.

We currently manufacture digital satellite antennas for direct-to-home installations in 46, 60, 76 cm, and 1 and 1.9 meter sizes.

Winegard reflectors are designed using the CAD-CAM process. Galvanized steel, used in manufacture, is carbon sheet steel with a zinc-iron alloy coating. Corrosion resistant, these alloys react to scratches and other damage through galvanic action between steel and zinc — the zinc protects breaks in the coating and prevents further damage after installation. Reflectors are checked repeatedly during manufacturing with a computer numerical control coordinate measuring machine. The CNC CMM is one of the best methods of quality control, from design to fabrication. Antennas are checked at 49 points during fabrication to maintain quality and precision.

The combination of powder coat finish, E-Coat and JS-600 finished hardware gives our reflectors and mounts a proven, superior weatherproof finish.

In addition to the manual for each product, technical support is available by phone or telefax. Winegard DTH products, made in the U.S.A., are backed by a limited five year warranty.

Mechanical

| | |
|--------------------------|-----------------------|
| Optics | Offset |
| Effective aperture | 46 cm (18.1 in.) |
| Antenna height | 53 cm (20.9 in.) |
| Antenna width | 49 cm (19.2 in.) |
| Galvanized steel | 21 ga. |
| Antenna weight | 1.36 Kg. (3 lbs.) |
| F/D | .59 |
| Offset angle | 24° |
| Focal distance | 27 cm (10.6 in.) |
| Surface accuracy | .04 - .06 in. average |
| Elevation range | 10° to 90° |
| Mounting options | Universal |

Electrical

| | | | |
|------------------------------------|-----------------|-----------|-----------|
| Frequency range | 10.95-12.75 GHz | | |
| Gain at mid-band | | | |
| | 11.2 | 12.1 | 12.6 |
| | 33.22 dBi | 33.89 dBi | 34.23 dBi |
| Aperture efficiency | 73% | | |
| Cross polarization (on axis) | -21 dB | | |
| Beamwidth at -3 dB | 3.5°* | | |
| Beamwidth at -10 dB | 7.0°* | | |

Environmental

| | |
|-------------------|-----------------------|
| Wind loading | |
| Operational | 97 Km/hr. (60 mph.) |
| Survival | 161 Km/hr. (100 mph.) |
| Atmosphere | 10 yrs. |

Feed support options

| | |
|------------------|-----------|
| Rectangular tube | Universal |
| D-tube | |

* Gain, efficiency and pattern measured/calculated with Winegard proprietary circularly polarized feed horn at 12.45 GHz. All data obtained from independent certified test facilities. Detailed patterns available on request.



WINEGARD®

46 cm

Winegard's 46 cm — designed for easy installation, it has 360° azimuth and 10° to 90° elevation adjustments. Feed support systems are available for all popular brands of LNBFs.

The reflector is manufactured from 22 gauge galvanized steel, finished with a seven step, textured thermoset powder coat. A hydrophobic additive in the finish increases water and snow repellent action. The mount, manufactured from galvanized steel, is E-Coated for maximum protection. All hardware has the highly corrosive resistant JS-600™ finish. The combination of these processes gives Winegard DTH systems the best finish available!

The antenna, mount and hardware have had extensive atmospheric testing, and will withstand 700 hours of salt spray. This system is designed to operate in winds up to 60 mph and survive winds of 100 mph.

The system includes a comprehensive manual, plus a technical support telephone number. It has Winegard's five-year limited warranty, and is UPS shippable.



D-Tube Feed Arm

Universal Mount

Precision-stamped for consistent quality

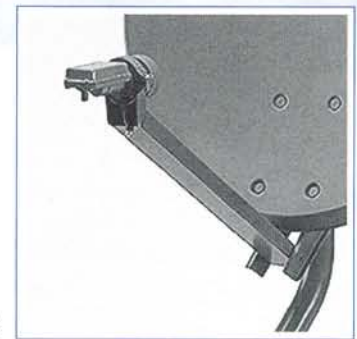
Easy to install. All hardware same size, only one wrench needed.

Galvanized steel antenna and galvanized steel mount with a combination of powder coat, E-coat and JS-600 finishes for outstanding environmental durability

Design meets 100 mph wind loading requirements

Responsive customer service support

Universal Feed



**46 cm Ku-Band
receive-only antenna system**