

WINEGARD®

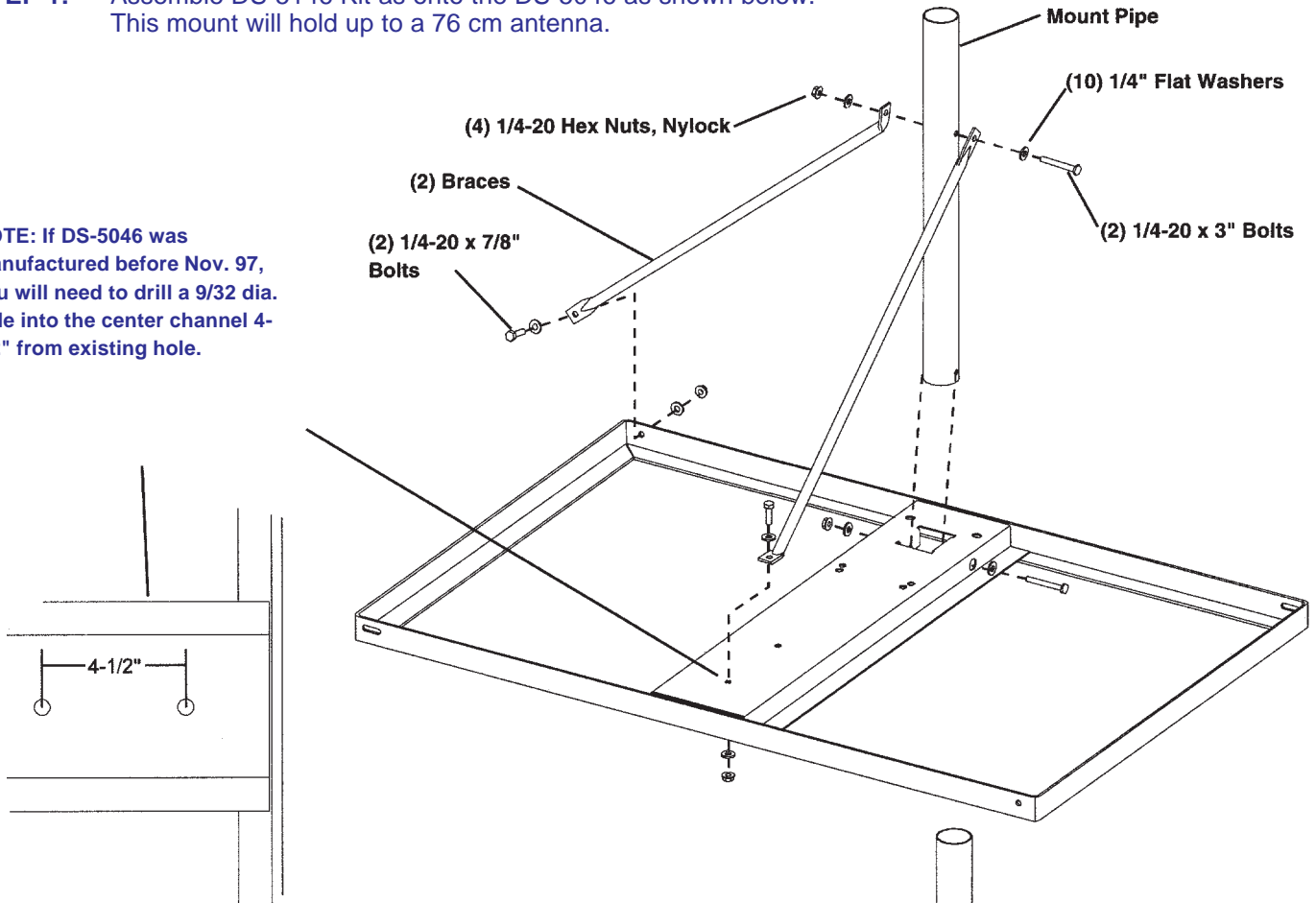
Non-Penetrating Roof Mount

Model DS-5146 Assembly Instructions

Made in U.S.A.

STEP 1: Assemble DS-5146 Kit as onto the DS-5046 as shown below. This mount will hold up to a 76 cm antenna.

NOTE: If DS-5046 was manufactured before Nov. 97, you will need to drill a 9/32 dia. hole into the center channel 4-1/2" from existing hole.



STEP 1: You can set up to 6 (six) concrete blocks into the frame as shown.

WINEGARD MOUNT DISCLAIMER

To insure maximum safety, Winegard recommends no installation be attempted without a professional engineer's structural analysis. Local zoning and/or building codes and insurance companies may require architect or structural engineer approval prior to installation. It is the purchaser's responsibility to verify that the above steps are taken.

