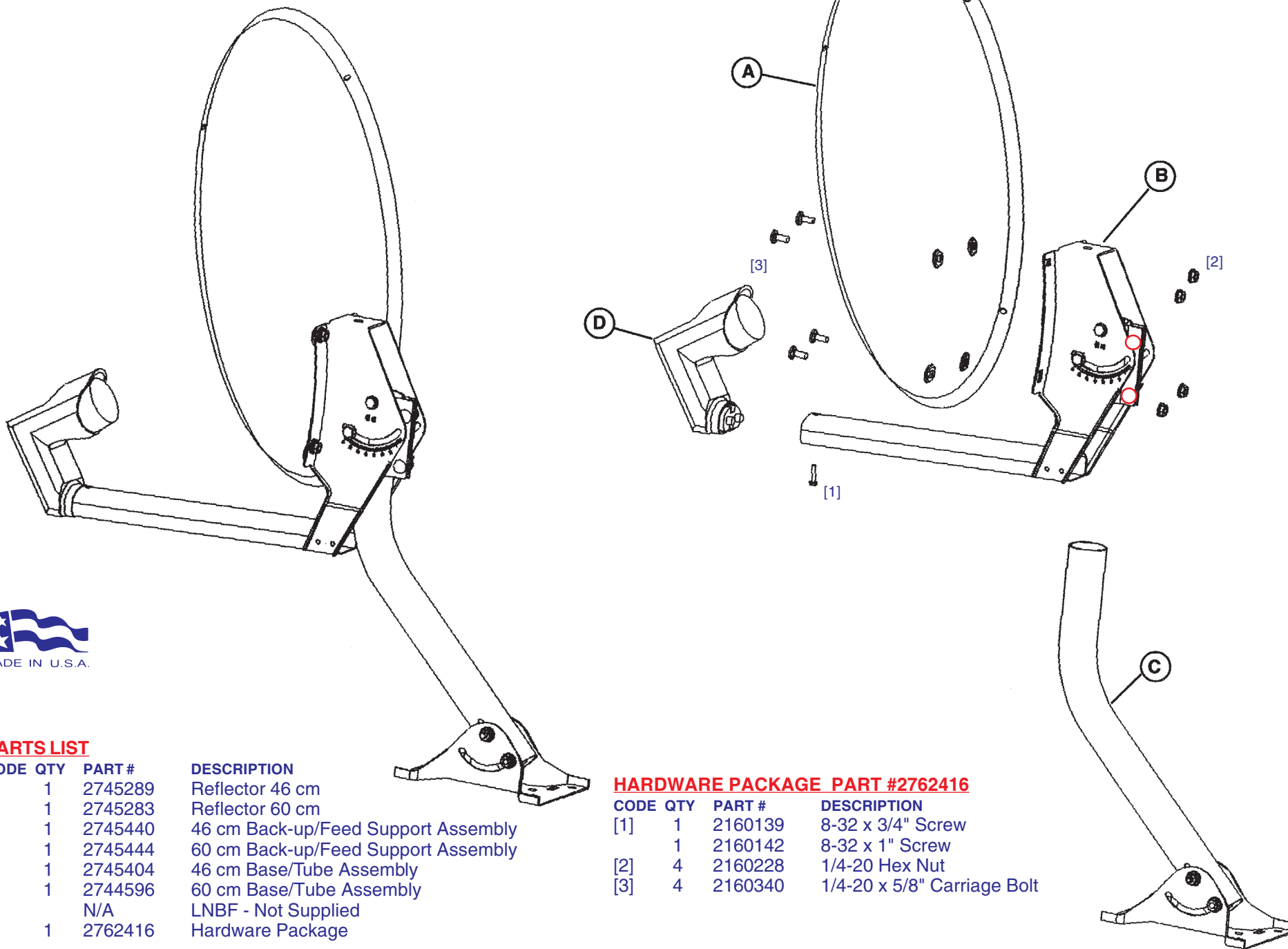


DS-4047 & DS-4061 ASSEMBLY INSTRUCTIONS



PARTS LIST

CODE	QTY	PART #	DESCRIPTION
A	1	2745289	Reflector 46 cm
A	1	2745283	Reflector 60 cm
B	1	2745440	46 cm Back-up/Feed Support Assembly
B	1	2745444	60 cm Back-up/Feed Support Assembly
C	1	2745404	46 cm Base/Tube Assembly
C	1	2744596	60 cm Base/Tube Assembly
D		N/A	LNBF - Not Supplied
	1	2762416	Hardware Package

HARDWARE PACKAGE PART #2762416

CODE	QTY	PART #	DESCRIPTION
[1]	1	2160139	8-32 x 3/4" Screw
	1	2160142	8-32 x 1" Screw
[2]	4	2160228	1/4-20 Hex Nut
[3]	4	2160340	1/4-20 x 5/8" Carriage Bolt